

RF WIRELESS DIN REPEATER/EXTENDER



A759 DIN RAIL REPEATER/EXTENDER

The Model A759 repeater is used to extend the RF range of the A700 series transmitters and receivers. Additionally, the A759 may be employed to repeat RF signals around objects (tanks, walls etc.) No programming is required, simply place the repeater in the desired location and apply power. With the system in signal strength mode (RSSI) RF signal strength can be monitored at both the repeater and receiver. This is useful for optimal placement of the repeater and to ensure data integrity throughout the system.

Specifications

INPUT:

A700 series transmitters

OUTPUT:

A700 series receivers

RF SENSITIVITY:

900 MHz: -110 dBm (@ 9600 BPS)

RF INPUT/OUTPUT:

1 Watt (+30 dBm), 900 MHz FHSS

POWER:

+11 to +32 Vdc

OPERATING TEMPERATURE RANGE:

-40°C to +85°C

FEATURES

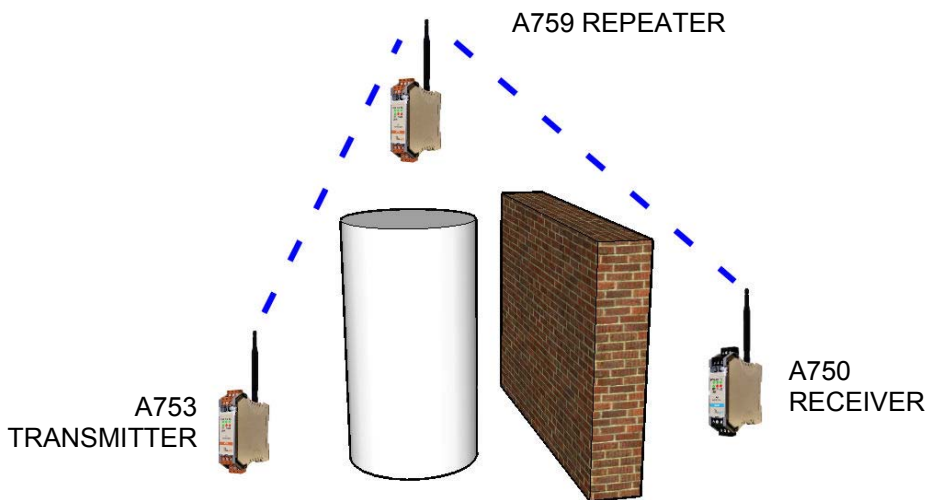
- 35 mm DIN Rail Mount
- 1W long range output
- Removable 2.0dBi dipole antenna
- DIP switch selectable channels
- Transmitter & receiver signal strength indicator
- No software required

APPLICATIONS

- Overcoming RF transmission/reception obstacles
- Extend RF range



EXAMPLE APPLICATION

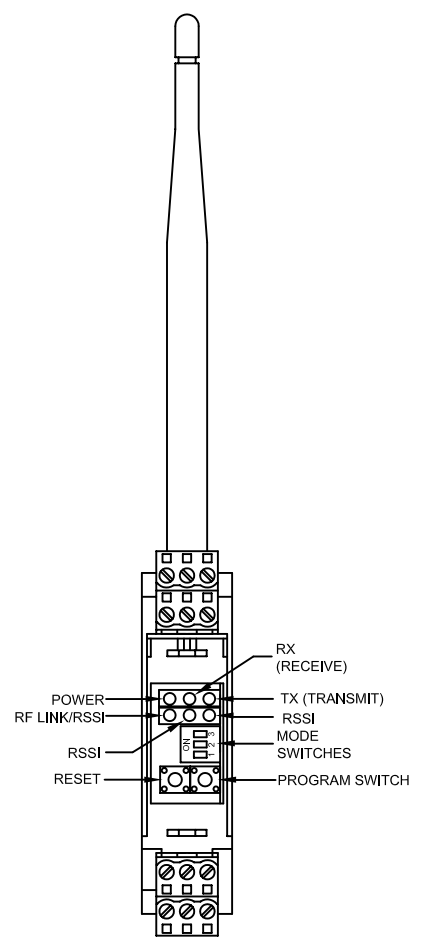
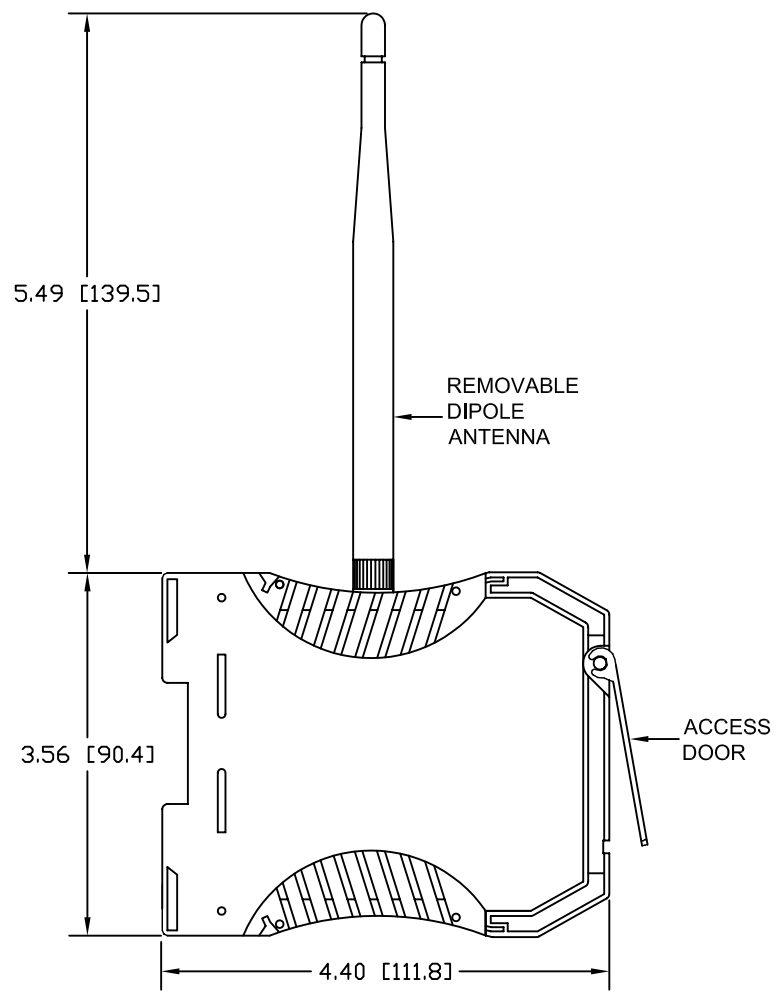
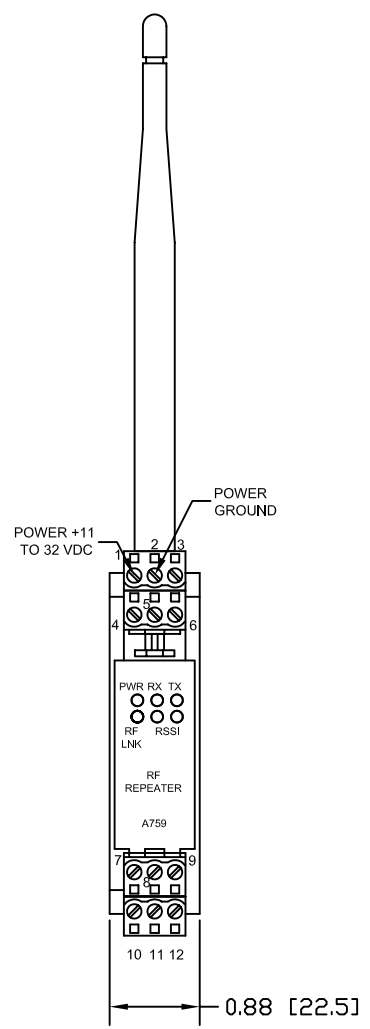


DWG. NO. SD-A-0283A	
REVISIONS	
A	INITIAL RELEASE 10/08/08 RML

FRONT VIEW

SIDE VIEW

INDICATORS/SWITCHES
ACCESS DOOR OPEN



NOTE:
1) DIMENSIONS IN INCHES [MILLIMETERS].

DWG
SD-A-0283A

QUOTE OR ORDER NUMBER			Analylnk Wireless, LLC 790 CROSS POINTE ROAD COLUMBUS, OHIO 43230	
Dimensions in inches unless otherwise specified				
DIMENSION TOLERANCES UNLESS OTHERWISE SPECIFIED				
BASIC DIMENSIONS	FRACTIONAL	DECIMAL		
UP TO 6	+/- 1/64	+/- .005		
OVER 6 TO 24	+/- 1/32	+/- .005		
OVER 24	+/- 1/16	+/- .010		
SCALE: FULL			DO NOT SCALE DRAWING WORK TO DIMENSIONS	
DRAWN	RML	DATE	05/02/08	
CHECKED		DATE		
APPROVED		DATE		
FILE NAME SD-A-0283A	NEXT ASS'Y	DWG NO. SD-A-0283A		