



CTX-401 HAZARDOUS AREA EXPLOSION PROOF ANTENNAS



- Bandwidth: 450 MHz to 470 MHz
- UL listed, ATEX and IECEx Certified
- Internal seal fitting
- TNC connector
- Mounting: 3/4" NPT or M20
- Rugged Nickel Plated Brass mounting base



LISTED

**Class 1, Div 1,
Zone1
Groups, C & D**



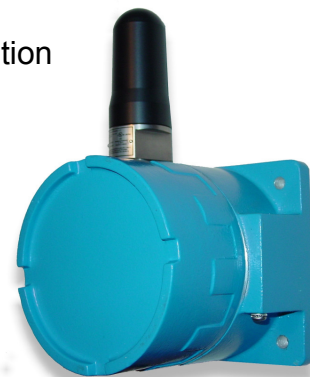
**ATEX
ZONE 1**

IECEx

The CTX-401 antennas are designed for use in “Hazardous-Classified” and Industrial-Hardened applications. The antennas are omni-directional with 0 dBi gain and designed for flexible mounting on a variety of explosion proof housings. The mounting base is made of heavy nickel-plated brass and includes a Class 1, Division 1 seal and may be ordered with a 3/4” NPT thread or M20 thread. An integrated TNC connector is used for the RF connection. The radome is optimized for rugged industrial applications while maintaining maximum radio frequency transmission and reception efficiency. The antenna may be mounted up to 18” away from the enclosure within a hazardous location without an additional seal. A ground plane will increase performance of this antenna.

- Hazardous tank level monitoring
- Offshore platforms
- Chemical processing
- Power plants
- Utility systems where explosive gases may be present
- Wireless bridges
- Hazardous area computers
- Patented design

Typical Installation



CTX-401 SERIES



← **RUGGED INDUSTRIAL RADOME**

← **INTEGRAL FLAMEPROOF SEAL**

← **3/4" NPT or M20 THREAD**

← **TNC CONNECTOR**

Specifications

Impedance: 50 Ω

Gain: 0.0 dBi (ground plane dependant)

Maximum power: 2 Watts

Connector type: TNC female

Mounting base: 3/4" NPT (optional M20)

Impact rating: 7 joules


Weight: 1.06 lbs., 0.48 kg

Maximum length including TNC connector: 5.85", 148.6mm, Max. diameter 2.02", 51.3mm

Maximum diameter (not including ground screw): 1.86", 47.2 mm

Certifications

UL, cUL listed: Class I Div 1, Groups C, D $-40^{\circ}\text{C} \leq T_a \leq 85^{\circ}\text{C}$, Class I Zone 1 AEx d IIB T5, Ex d IIB T5 Gb X $-40^{\circ}\text{C} \leq T_a \leq 85^{\circ}\text{C}$

ATEX: CE0575  II2G, Ex d IIB T5 Gb, $-40^{\circ}\text{C} \leq T_a \leq 85^{\circ}\text{C}$, DEMKO 08 ATEX 0727941 X

IECEEx: Ex d IIB T5 Gb UL 12.0061X $-40^{\circ}\text{C} \leq T_a \leq 85^{\circ}\text{C}$

Ordering Information (other frequencies available, contact factory for details)

<u>Part Number</u>	<u>Frequency</u>	<u>Mounting Base Thread</u>
CTX-401-TF	450MHz to 470MHz	3/4NPT
CTM-401-TF	450MHz to 470MHz	M20 (20mm)

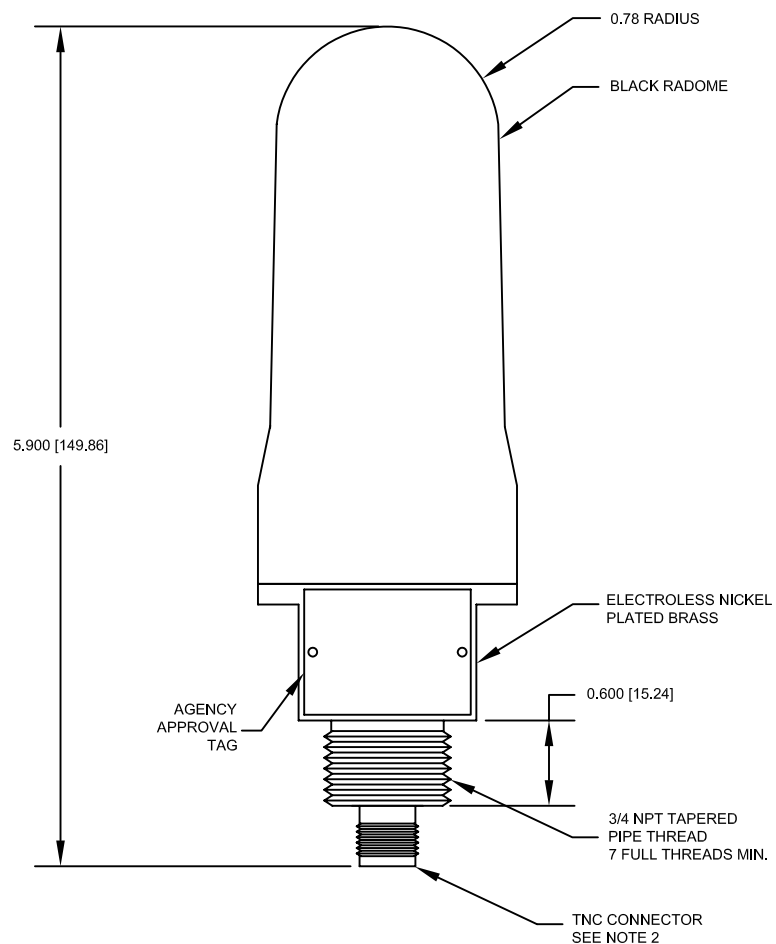


DWG. NO.
SD-B-0280A

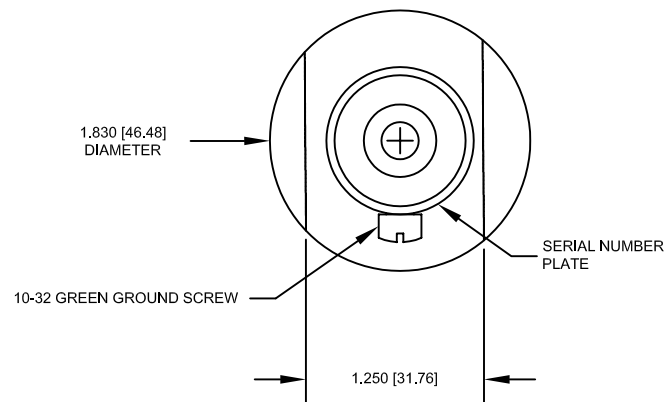
REVISIONS

A	PRODUCTION RELEASE 07/15/08 RML
---	------------------------------------

FRONT VIEW



BOTTOM VIEW



NOTES:

1. DIMENSIONS ARE IN INCHES [MILLIMETERS].
2. TNC FEMALE CONNECTOR, REVERSE POLARITY TNC FEMALE FOR 2.4 GHz ONLY.

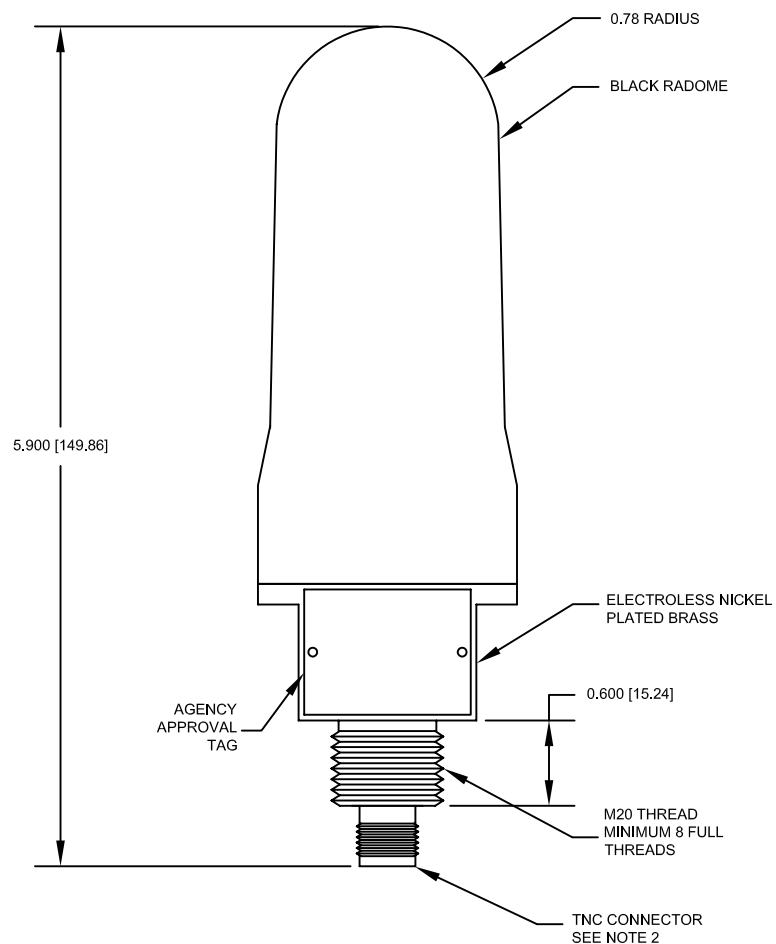
QUOTE OR ORDER NUMBER			Analylnk Wireless, LLC 790 CROSS POINTE ROAD COLUMBUS, OHIO 43230	
Dimensions in inches unless otherwise specified			TITLE HAZARDOUS AREA ANTENNA FOR CTX SERIES	
DIMENSION TOLERANCES UNLESS OTHERWISE SPECIFIED				
BASIC DIMENSIONS	FRACTIONAL	DECIMAL		
UP TO 6	+/- 1/64	+/- .005		
OVER 6 TO 24	+/- 1/32	+/- .005		
OVER 24	+/- 1/16	+/- .010		
SCALE	DO NOT SCALE DRAWING WORK TO DIMENSIONS			
FULL				
DRAWN	RML	DATE	07/15/08	
CHECKED	JDR	DATE	07/15/08	
APPROVED	RML	DATE	07/15/08	
FILE NAME	SD-B-0280A.DWG		NEXT ASS'Y	DWG NO. SD-B-0280A

DWG. NO.
SD-B-0279A

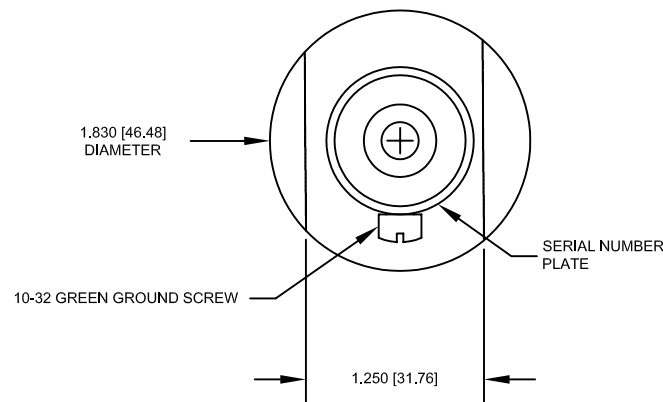
REVISIONS

A	PRODUCTION RELEASE 07/15/08 RML
---	------------------------------------

FRONT VIEW



BOTTOM VIEW



NOTES:

1. DIMENSIONS ARE IN INCHES [MILLIMETERS].
2. TNC FEMALE CONNECTOR, REVERSE POLARITY TNC FEMALE FOR 2.4 GHz ONLY.

QUOTE OR ORDER NUMBER			Analylnk Wireless, LLC 790 CROSS POINTE ROAD COLUMBUS, OHIO 43230	
Dimensions in inches unless otherwise specified			TITLE HAZARDOUS AREA ANTENNA FOR CTM SERIES	
DIMENSION TOLERANCES UNLESS OTHERWISE SPECIFIED				
BASIC DIMENSIONS	FRACTIONAL	DECIMAL		
UP TO 6	+/- 1/64	+/- .005		
OVER 6 TO 24	+/- 1/32	+/- .005		
OVER 24	+/- 1/16	+/- .010		
SCALE	DO NOT SCALE DRAWING WORK TO DIMENSIONS		NEXT ASS'Y	
FULL				
DRAWN	RML	DATE 07/15/08		
CHECKED	JDR	DATE 07/15/08	DWG NO. SD-B-0279A	
APPROVED	RML	DATE 07/15/08		

FILE NAME
SD-B-0279A.DWG