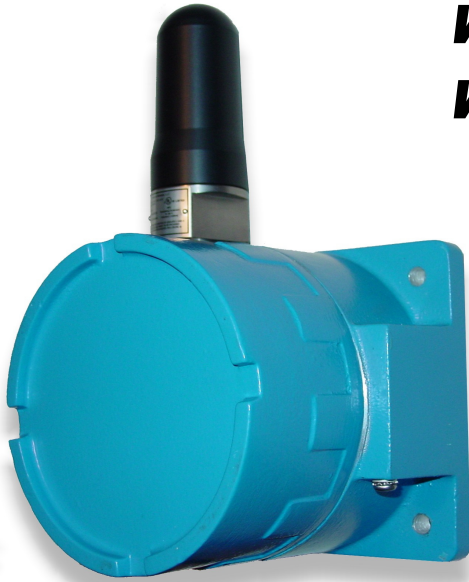




WEN-SERIES HAZARDOUS AREA WIRELESS ENCLOSURES



- Use your electronics in the hazardous area
- Industrial temperature range $-40^{\circ}\text{C} \leq T_a \leq +85^{\circ}\text{C}$
- 900MHz, 2.4GHz, 5GHz (dual bands available)
- Optional window
- Optional depths

Suitable for Class 1, Div 1, Groups C & D & Class 1, Zone 1 applications

The WEN-Series enclosures are designed to facilitate installation of wireless electronics in the hazardous area. Utilizing our proprietary CTX series antennas, the enclosures are suitable for Class 1, Div 1 Groups C & D and Class 1, Zone 1 applications. The enclosure is available with a 3.3" window. The standard enclosure offer 16 square inches to house your electronics, the extended version offers 24 square inches. The antenna has a 2.0 dBi gain and is available for common frequencies. An optional RF cable can be supplied to connect the antenna to your electronics.

Ordering information:

WEN-900-NW 900MHz, no window
WEN-2400-NW 2.4GHz, no window
WEN-5000-NW 5.0GHz, no window

WEN-900 900MHz, with window
WEN-2400 2.4GHz, with window
WEN-5000 5.0MHz, with window

Note: Add EXT to part number for extended depth versions. Example WEN-900-NW-EXT

Applications:

- Hazardous tank level monitoring
- Offshore platforms
- Chemical processing
- Power plants
- Utility systems where explosive gases may be present
- PCS, AMPS, GPRS, 802.11

DWG. NO.
SD-D-0280B

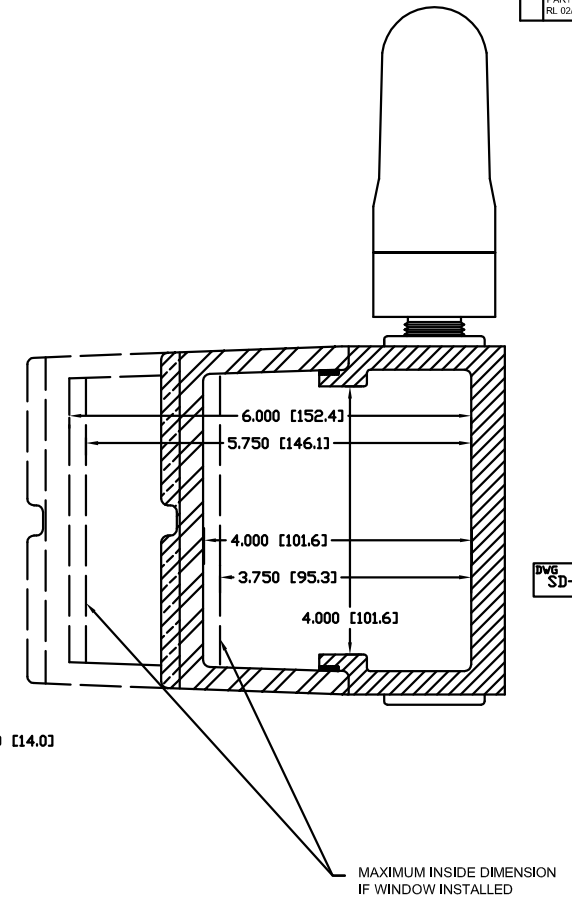
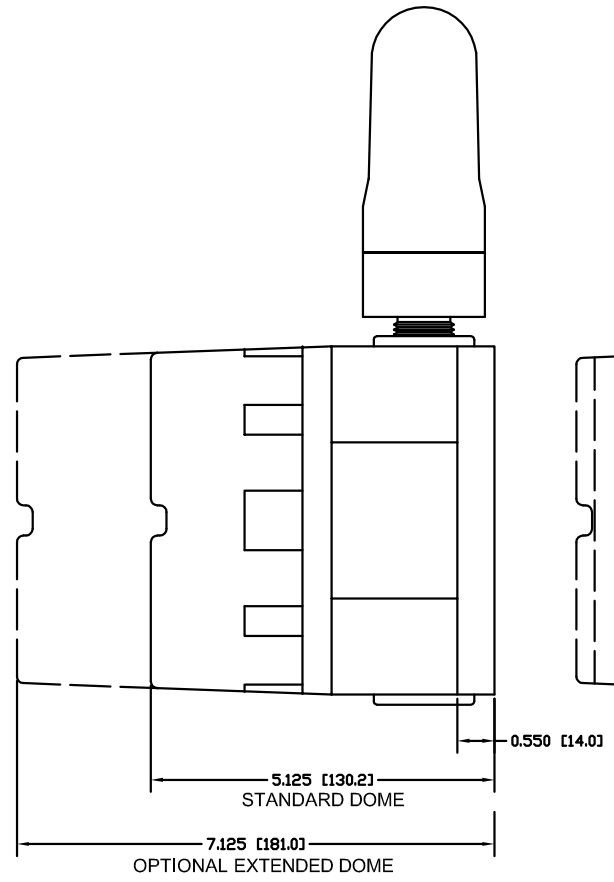
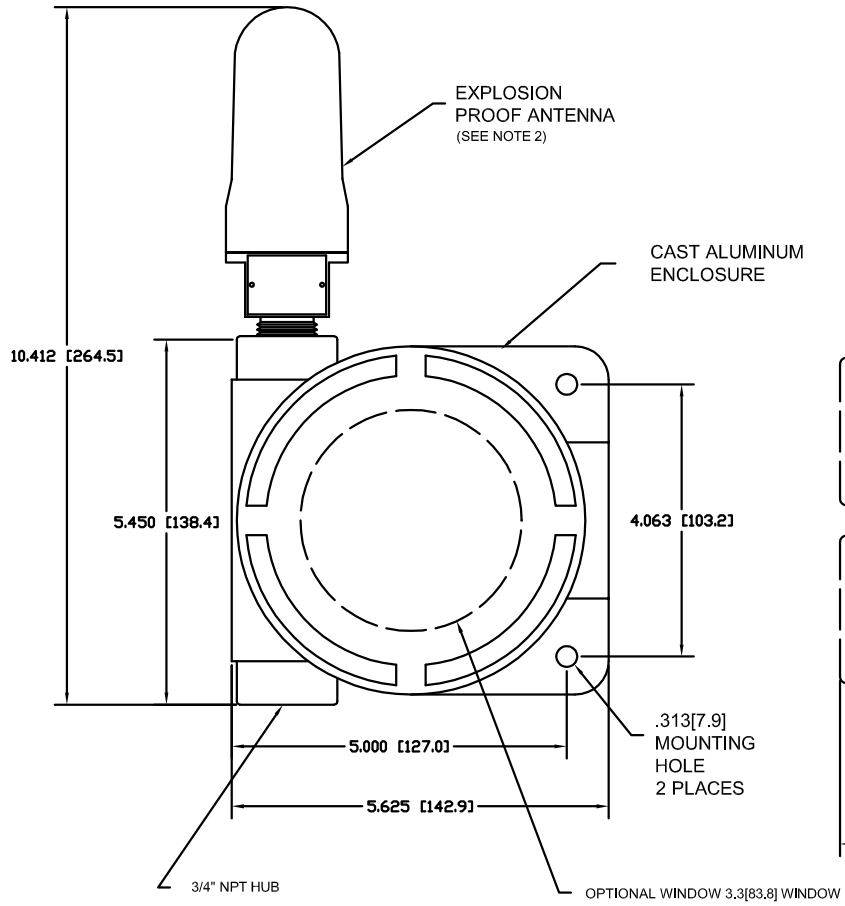
REVISIONS

A	INITIAL RELEASE RL 12/01/07
B	ADDED EXT DOME PART NUMBERS RL 02/09/09

FRONT VIEW

RIGHT SIDE VIEW

INTERNAL DIMENSIONS



DWG
SD-D-0280B

NOTES:

1. ALL DIMENSIONS ARE IN INCHES[MILLIMETERS].

2. PART NUMBERS STANDARD DOME:
 WEN-900-NW 900MHz ANTENNA NO WINDOW
 WEN-2400-NW 2.4GHz ANTENNA NO WINDOW
 WEN-5000-NW 5.0GHz ANTENNA NO WINDOW

PART NUMBERS EXTENDED DOME:
 WEN-900-NW-EXT 900MHz ANTENNA NO WINDOW
 WEN-2400-NW-EXT 2.4GHz ANTENNA NO WINDOW
 WEN-5000-NW-EXT 5.0GHz ANTENNA NO WINDOW

WEN-900 900MHz ANTENNA WITH WINDOW
 WEN-2400 2.4GHz ANTENNA WITH WINDOW
 WEN-5000 5.0GHz ANTENNA WITH WINDOW

WEN-900-EXT 900MHz ANTENNA WITH WINDOW
 WEN-2400-EXT 2.4GHz ANTENNA WITH WINDOW
 WEN-5000-EXT 5.0GHz ANTENNA WITH WINDOW

3. SUITABLE FOR USE IN CLASS 1, DIVISION 1
 GROUPS C, D & CLASS 1, ZONE 1
 -40°C TO +85°C INCLUSIVE

4. AVAILABLE WITH EXTENDED COVER:
 WITH WINDOW: 5.75[146]

5. ENCLOSURE SAND, COPPER FREE ALUMINUM
 1/2[12.7] WALL WITHOUT WINDOW: 6[152.4]

QUOTE OR ORDER NUMBER		Analylnk Wireless, LLC 790 CROSS POINTE ROAD COLUMBUS, OHIO 43230	
ISSUED BY		TITLE	
CHECKED BY		FOR	
DATE		WEN SERIES	
DRAWN		WIRELESS ENC	
FILE NAME	CHECKED DATE	NEXT ASSY	DWG NO.
SD-D-0280B.DWG	APPROVED DATE		SD-D-0280B